



### ATLANTIS RAIL Contact Information:

Atlantis Rail Systems  
70 Armstrong Rd.  
Plymouth, MA 02360

(800) 541-6829 or (508) 732-9191

(508) 732-9798

www.atlantisrail.com

### SunRail™ Concrete Mounting Base Installation Instructions

Atlantis Rail offers a Concrete Mounting Base option when installing a SunRail system with stainless steel posts on a concrete surface. A single concrete anchor bolt (not supplied) is used to secure the mount. The Concrete Mounting Base can be used in conjunction with an Atlantis Rail Mounting Base or Rail Adjustable Base.

The following guide will take you step-by-step through the process of installing a SunRail Concrete Mounting Base.

### Table of Contents

<b>Tools</b>	<b>1</b>
<b>Tips for a Successful Installation</b>	<b>1</b>
<b>Component</b>	<b>1</b>
Additional Components	2
<b>Dry Fitting the Railing Section</b>	<b>2</b>
<b>Mark the Center of the Concrete Mounting Base</b>	<b>2</b>
<b>Drilling-Out the Concrete</b>	<b>3</b>
<b>Installing Anchor Bolts</b>	<b>3</b>
<b>Product Specification</b>	<b>3</b>



Warning

### Tools

#### Required & Recommended



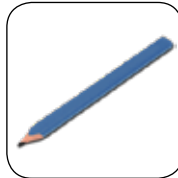
Hammer Drill



Masonry Bit



Anchor Adhesive



Pencil



Work Gloves



Safety Glasses

### Tips for a Successful Installation

- Read the instructions completely before beginning the installation.
- Check carton(s) to determine part count is complete.
- Always wear personal protection equipment; safety glasses, work gloves, etc.



**ALWAYS USE WORK GLOVES AND WEAR SAFETY GLASSES TO PROTECT YOUR HANDS AND EYES.**

### Component



S0950-0006

Concrete Mounting Base

## Additional Components



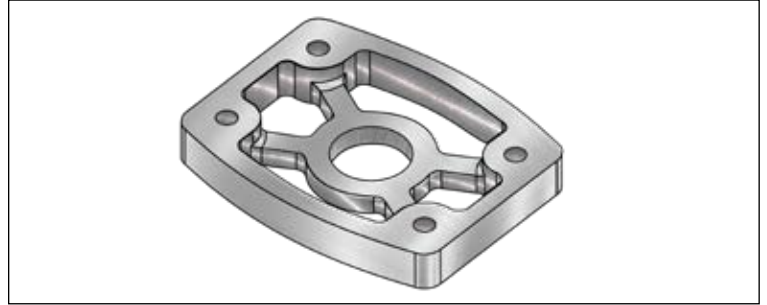
Rail Mounting Base



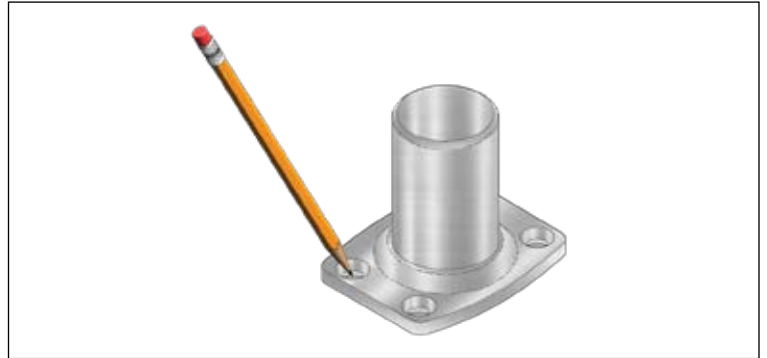
Rail Adjustable Base

## Dry Fitting the Railing Section

Begin by dry fitting the railing section as outlined in the applicable SunRail installation instructions. The Concrete Mounting Base (See *Figure A*) matches the profile of the Rail Mounting Base (S0950-0001) and Rail Adjustable Base (S0950-0003). When appropriately dry fitted, leveled and plumbed, mark the four (4) holes on the top of the Rail Mounting Base as outlined in the SunRail installation instructions (See *Figure B*).



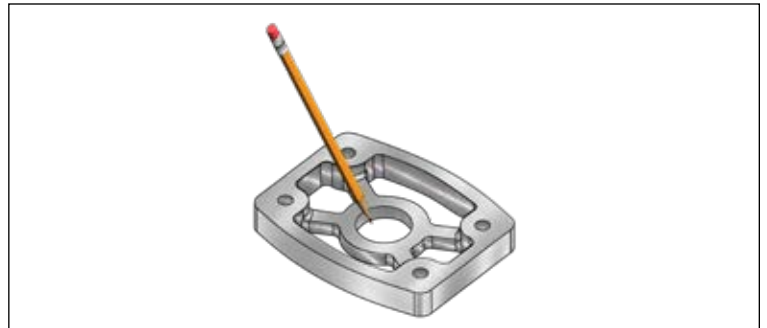
**Figure A.** Concrete Mounting Base (S0950-0006).



**Figure B.** After dry fitting, mark holes using the Rail Mounting Base (S0950-0001).

## Marking the Center of the Concrete Mounting Base

Line up the Concrete Mounting Base with the four (4) holes you marked when dry fitting the railing section. Mark the center of the Concrete Mounting Base (See *Figure C*).



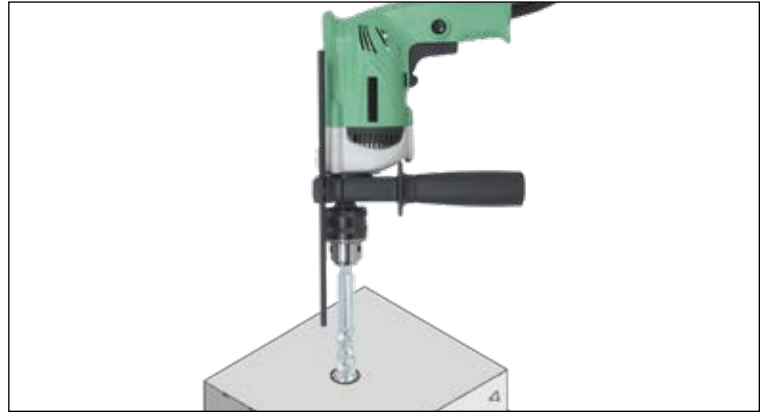
**Figure C.** Mark the center of the Concrete Mounting Base (S0950-0006).

## Drilling-out the Concrete



**DUE TO THE VARYING DEPTHS AND TYPES OF CONCRETE, ATLANTIS RAIL DOES NOT SUPPLY BOLTS OR ANCHORS FOR FASTENING THE CONCRETE MOUNTING BASE.**

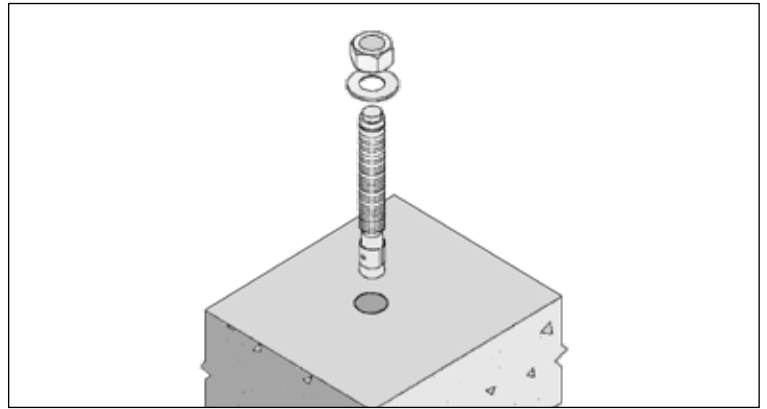
The fastener you use should put you as deep into the concrete as you can go without chipping or cracking the surface. A maximum of a 3/4" stud is suggested. When you have your bolts, using a hammer drill and masonry bit, drill to the depth that will allow the bolt to sink to the bottom of the hole and leave 1-1/4" to 1-1/2" of the stud above the surface (See Figure D). Clean the hole out using a shop vacuum or air hose. It is important to clean as much of the concrete out of the hole as possible. The cleaner the hole, the stronger the grip will be.



**Figure D.** Drill hole in concrete to accept the anchor bolt.

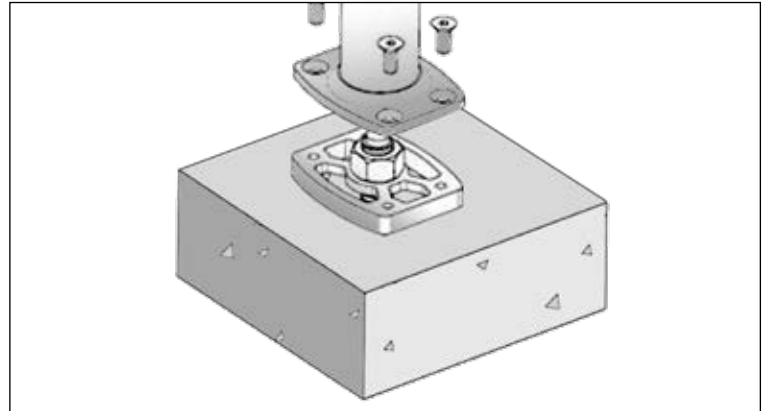
## Installing Anchor Bolts

With the holes drilled and clean, tap the anchor bolt into the hole until it grounds out (See Figure C). Use necessary anchor adhesive where required by code. Replace the Concrete Mounting Base over the stud with the flat side facing up. Place nut and washer (minimum washer diameter 1") on the stud and tighten down.



**Figure E.** Tap concrete anchor to bottom of hole.

Line up the four (4) holes once again to be sure your orientation is correct. Using four (4) 5/16" x 3/4" stainless steel machine screws, attach the Rail Mounting Base to the installed Concrete Mounting Base (See Figure F).



**Figure F.** Attach Rail Mounting Base with four (4) 5/16" x 3/4" machine screws.

## Product Specification

### Component

Product	Description	Dimensions	Fasteners	Notes
S0950-0006	Concrete Mounting Base	2" 316 stainless steel	--	Anchor bolt not included
S0950-0001	Rail Mounting Base	2" 316 stainless steel	--	--
S0950-0006	Concrete Mounting Base	2" 316 stainless steel	--	--