



## ATLANTIS RAIL Contact Information

### Customer Service

(800) 541-6829  
(508) 732-9191

### Facsimile

(508) 732-9798

### Web Address

www.atlantisrail.com

### Email

info@atlantisrail.com

### Mailing Address

Atlantis Rail Systems  
70 Armstrong Road  
Plymouth, MA 02360

## Atlantis Rail Fascia Mount Bracket Installation Instructions

Atlantis Rail offers a fascia mounting option when installing a SunRail™ system with stainless steel posts. This bracket is designed to be combined with the Atlantis Rail Mounting Base or Rail Adjustable Base. It is used when a fascia mounting system is desired. The bases fit perfectly into the top recess and are held by four (4) screws. For a safe installation, use prescribed 1/2" machine screws for bolting through joists.

The following guide will take you step-by-step through the process of installing an Atlantis Rail Fascia Mount Bracket.

### Dry Fitting the Railing Section

Begin by dry fitting the railing section as outlined in the SunRail™ installation instructions. The Fascia Mount Bracket (Figure A) matches the profile of the base. You can locate the fascia mount bracket using the Rail Mounting Base (S0950-0001) and Rail Adjustable Base (S0950-0003). When appropriately dry fitted, leveled and plumbed, mark the four holes on the top of the standard base plate as outlined in the SunRail™ installation instructions (Figure B).

### Making Necessary Adjustments to the Deck

Sometimes when using the Fascia Mount Bracket, you may find it necessary to adjust your deck in some way due to the deck overhang. The most common modifications are blocking out the fascia to meet the edge of the decking, or notching in the decking to meet the fascia. Whatever your preference, make sure that this information is covered when working with your Engineer.

### Fastening Fascia Mount Bracket

There are two methods for fastening the Fascia Mount Bracket. You can use four (4) 1/2" lag bolts. These screw through the side of the fascia bracket and into the fascia board (Figure C). If you prefer thru-bolting, use four (4) 1/2" machine screws, nuts and washers. Mark and drill through the fascia board, install the screws, nuts and washers until tight.

When the fascia mounts are securely fastened, attach the Rail Mounting Base using four (4) 5/16" x 1/2" long machine screws into the top of the bracket (Figure D). Tighten down, shim where necessary and install the rail as outlined in the SunRail™ installation instructions.

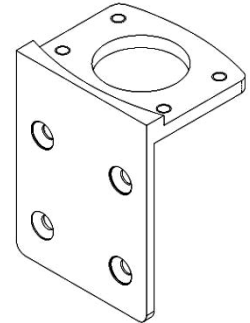


Figure A. Fascia Mount Bracket (S0950-0002)

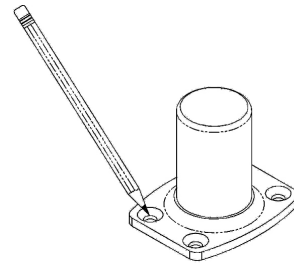


Figure B. After dry fitting, mark holes using the Rail Mounting Base (S0950-0001).

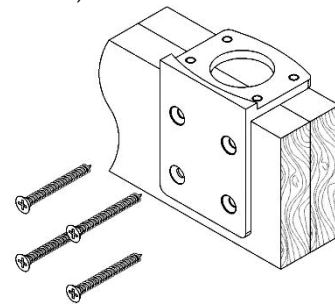


Figure C. Install four (4) 1/2" lag bolts.

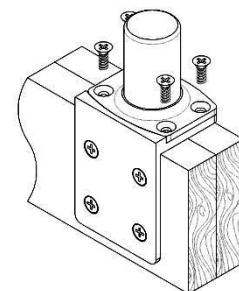


Figure D. Attach Rail Mounting Base with four (4) 5/16" x 1/2" machine screws.