

## Table of Contents

Step 1: Select a SunRail System	1
Step 2: Sketch Your Project	1
Step 3: Determine Required Rail Height	3
Step 4: Determine Supplies for Your Project	4



### How to Measure SunRail™ Systems



*WE ENCOURAGE OUR CUSTOMERS TO ORDER FROM LOCAL AUTHORIZED DEALERS TO ENSURE PERSONAL SERVICE, LOCAL REPRESENTATION AND PROJECT ASSISTANCE.*

## Step 1: Select a SunRail System

Based on the available SunRail selections, choose a model.

## Step 2: Sketch Your Project

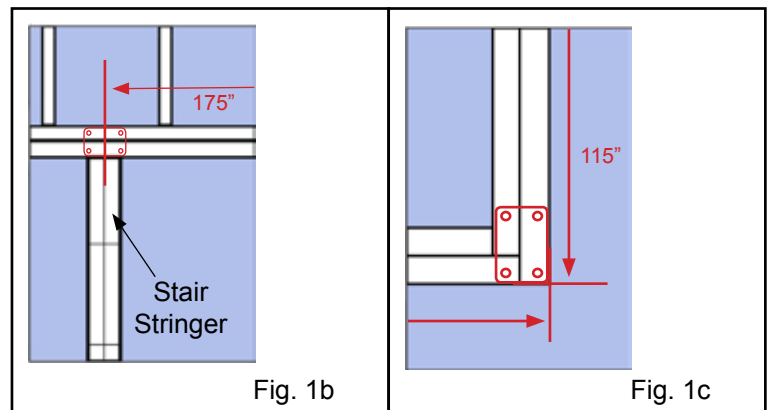
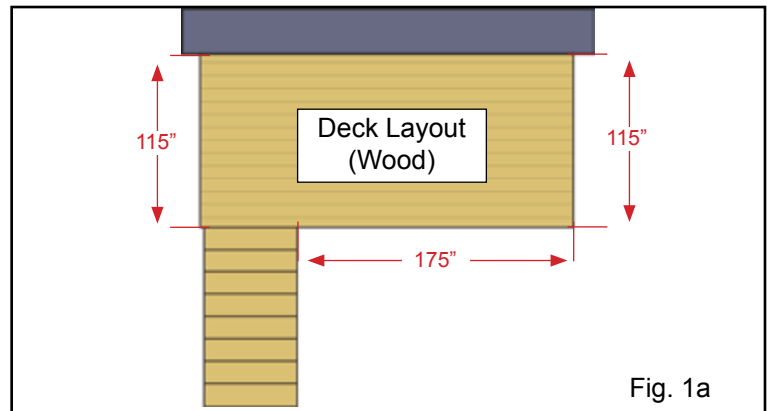
Sketch your project to scale. Start from the left and measure from each end to the next end or corner. Please note what type of surface the railing system will be mounted on (See Figure 1a or 2a).



*MOUNTING ON WOOD DECK: IT IS VERY IMPORTANT TO SECURE THE RAIL MOUNTING BASES INTO THE JOIST SUPPORTS BELOW FOR OVERALL STRENGTH AND STABILITY. MOST DECKS HAVE DOUBLE JOISTS AT THE PERIMETER AND TO OPTIMIZE RAILING STRENGTH, THE BASE SCREWS SHOULD BE LOCATED IN EACH OF THOSE (FIGURE 1B AND 1C). ANY DECKING OVERLAP FROM THE JOIST MUST BE TAKEN INTO CONSIDERATION WHEN MEASURING.*



*MOUNTING ON CONCRETE OR MASONRY: IF THE RAILING SYSTEM IS MOUNTED ON CONCRETE OR MASONRY, ATLANTIS RAIL ENGINEERS WILL DESIGN BASES TO BE A MINIMUM OF 2" AWAY FROM THE EDGES TO AVOID CRACKING (SEE FIGURES 2B AND 2C).*



Atlantis Rail Systems has developed an easy way to ensure the proper and accurate measurement of stairs (See Figure 3) and document the appropriate measurements needed on your sketch.

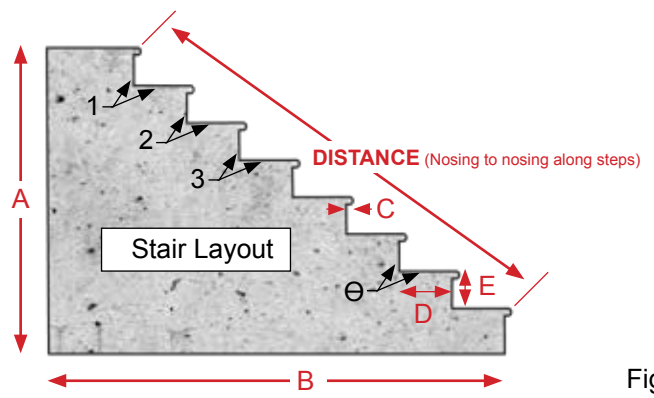


Fig.3

Please note the following on your sketch:

- A - Overall Height
- B - Overall Length
- C - Length of Nosing
- D - Length of Finished Tread
- E - Height of Finished Tread
- Distance (Nosing to Nosing)
- Total Number of Risers
- Total Number of Treads

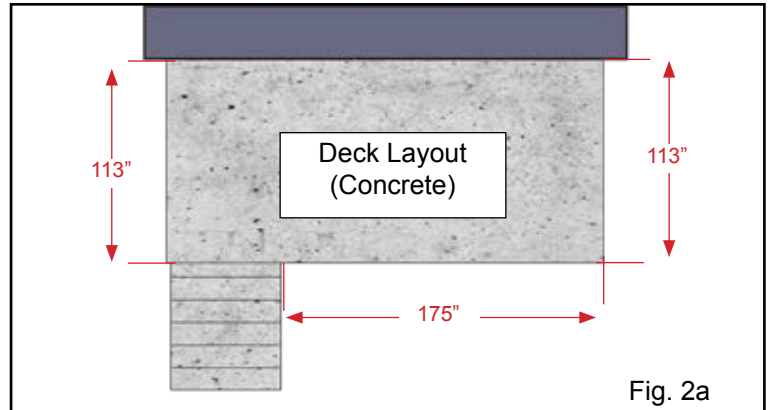


Fig. 2a

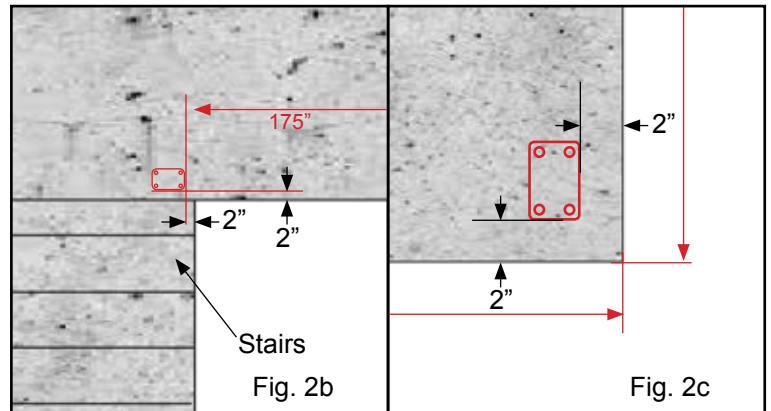


Fig. 2b

Fig. 2c

### Step 3: Determine the Required Rail Height

Railing sections are offered in standard heights of 36" and 42". Custom heights are available upon request.



**REFER TO YOUR LOCAL BUILDING CODES AND NOTE THE REQUIRED RAIL HEIGHT FOR EACH SECTION ON YOUR PROJECT SKETCH.**

## Step 4: Determine Supplies for Your Project

We encourage you to contact your local authorized dealer. To find a dealer in your area, refer to the “Find a Dealer” page on the Atlantis Rail website or call 1 (800) 541-6829 for assistance. If a dealer is not located in your area, please fax or email the plan to Atlantis Rail Systems; (508) 732-9798 or [info@atlantisrail.com](mailto:info@atlantisrail.com).



Use our Dealer Locator  
to find a Dealer near you.