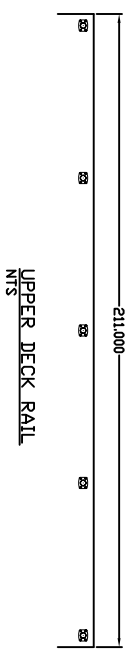
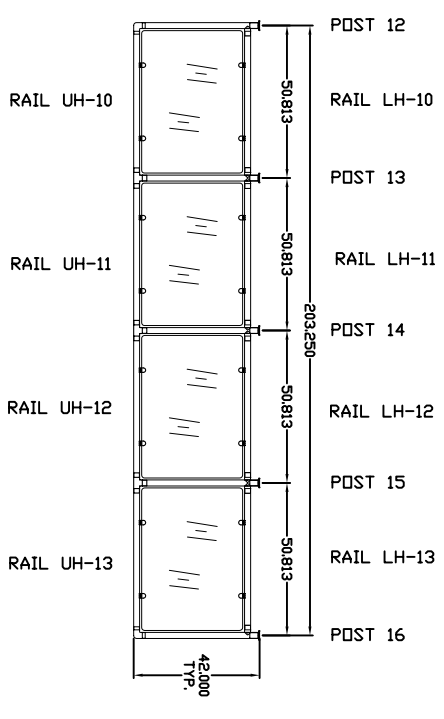
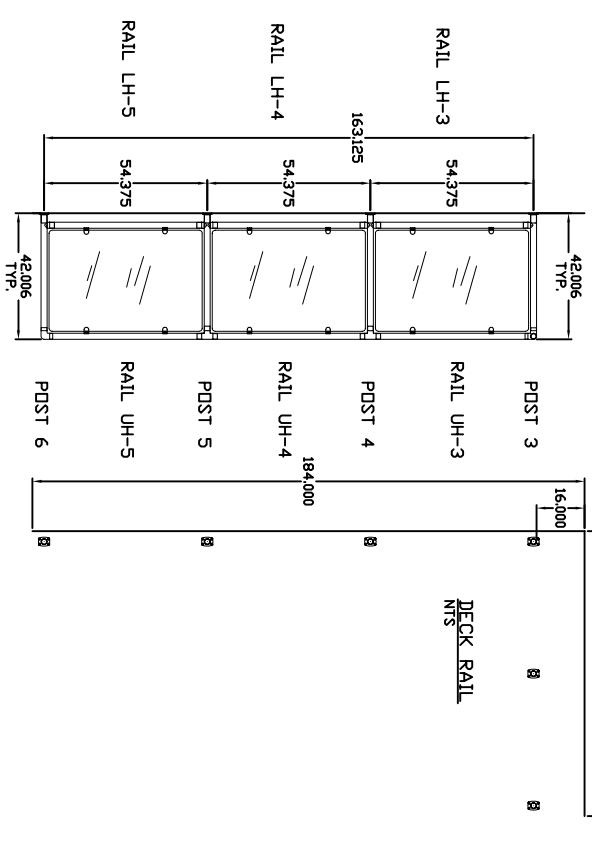
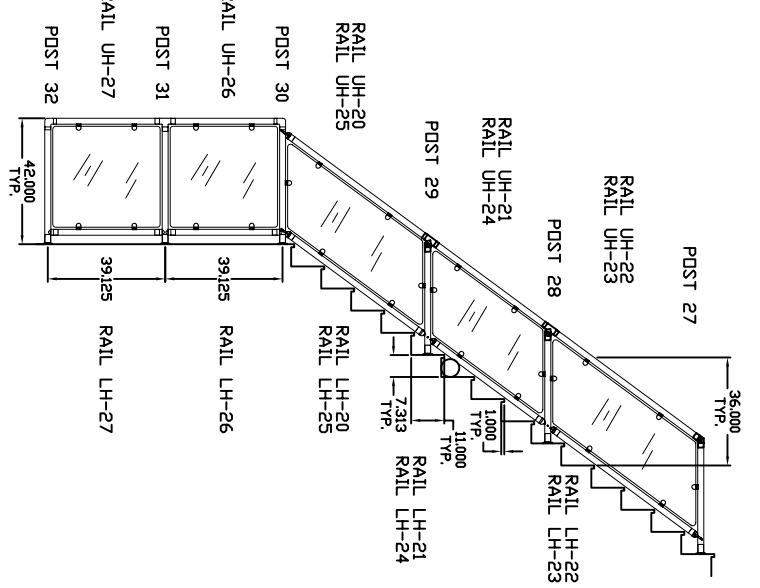
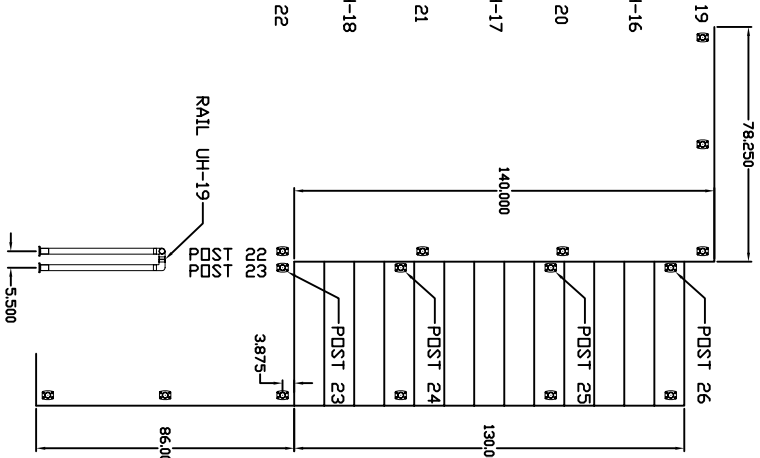
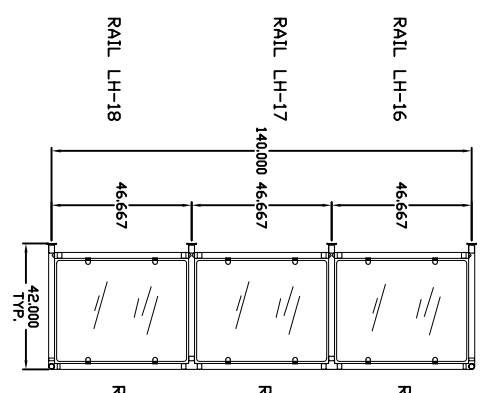
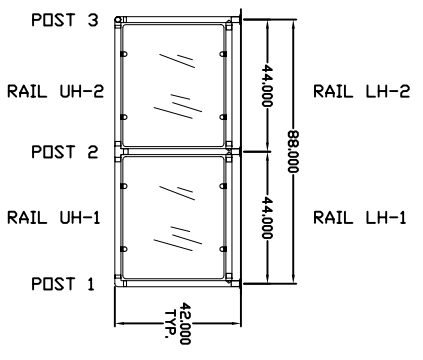
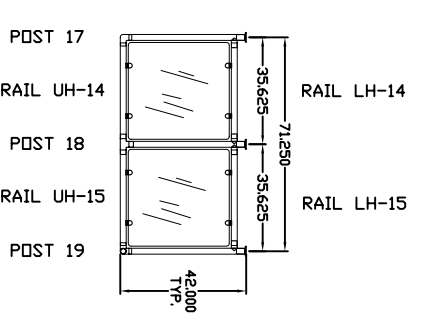
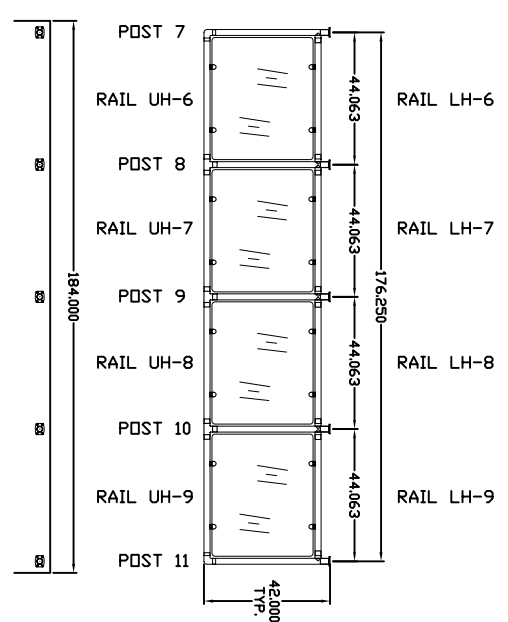


THE INFORMATION CONTAINED IN THIS DRAWING IS THE SOLE PROPERTY OF SUNCOR STAINLESS. ANY REPRODUCTION IN PART OR WHOLE WITHOUT THE WRITTEN PERMISSION OF SUNCOR STAINLESS IS PROHIBITED.

ZONE	REV	DESCRIPTION	DATE	APPROVED
A		NEW DRAWING	XX	XX

- NOTES:
- HAND RAIL SYSTEM CONSISTING OF SUNRAIL STYLE WITH GLASS PANEL INFILL (NOT SUPPLIED).
  - DRAWING AND DIMENSIONS BASED UPON CUSTOMER SUPPLIED DRAWINGS
  - ALL DIMENSIONS AND RAILING DETAILS ARE PENDING CUSTOMER APPROVAL
  - 4.2" HAND RAIL SYSTEM CONSISTING OF 2" DIA POLISHED 16 GAUGE 316 SS TUBING, CAST 316 SS FITTINGS, EPOXY CONNECTIONS AT JOINTS

Deck or mounting area and stair dimensions **MUST** be confirmed by the customer and or contractor. Suncor/Atlantis rail will **NOT** be responsible for errors or misinterpretations of the railing system designed by us based upon customer confirmed dimensions. Additional drawing time to change the design or correct for errors after signing will result in additional costs as well as any changes to parts made per the drawing. Carefully review the drawing before signing and accepting.



DECK & STAIR RAIL

SIGNATURE: \_\_\_\_\_

DATE: \_\_\_\_\_

<p>UNLESS OTHERWISE SPECIFIED DIMENSIONS ARE IN MILLIMETERS AND ANGLES IN DEGREES</p>		<p>DATE GENERATED: 2018-08-14 10:00 AM DRAWN BY: [REDACTED] CHECKED BY: [REDACTED]</p>	
<p>MATERIAL: 316SS</p>		<p>FINISH: POLISHED</p>	
<p>SCALE: FULL</p>		<p>SHEET: 1</p>	
<p>SIZE: 42" SUNRAIL GLASS</p>		<p>DATE: 2018-08-14 10:00 AM</p>	
<p>REV: A</p>		<p>DATE: 2018-08-14 10:00 AM</p>	



42" SUNRAIL GLASS