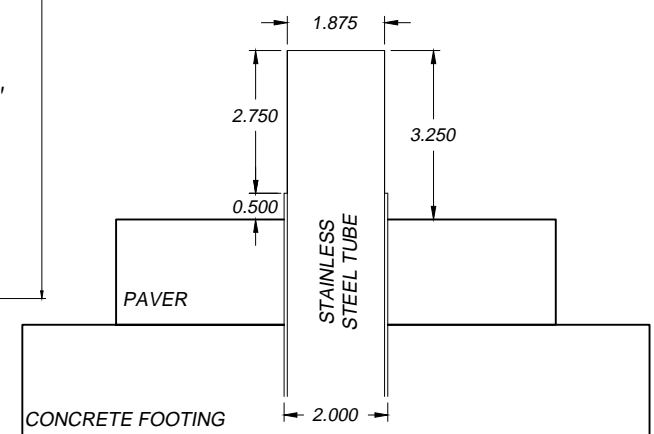
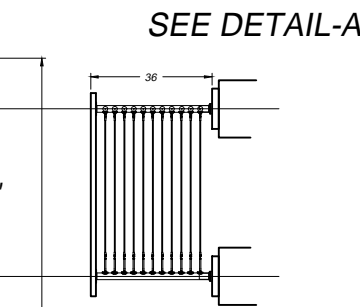
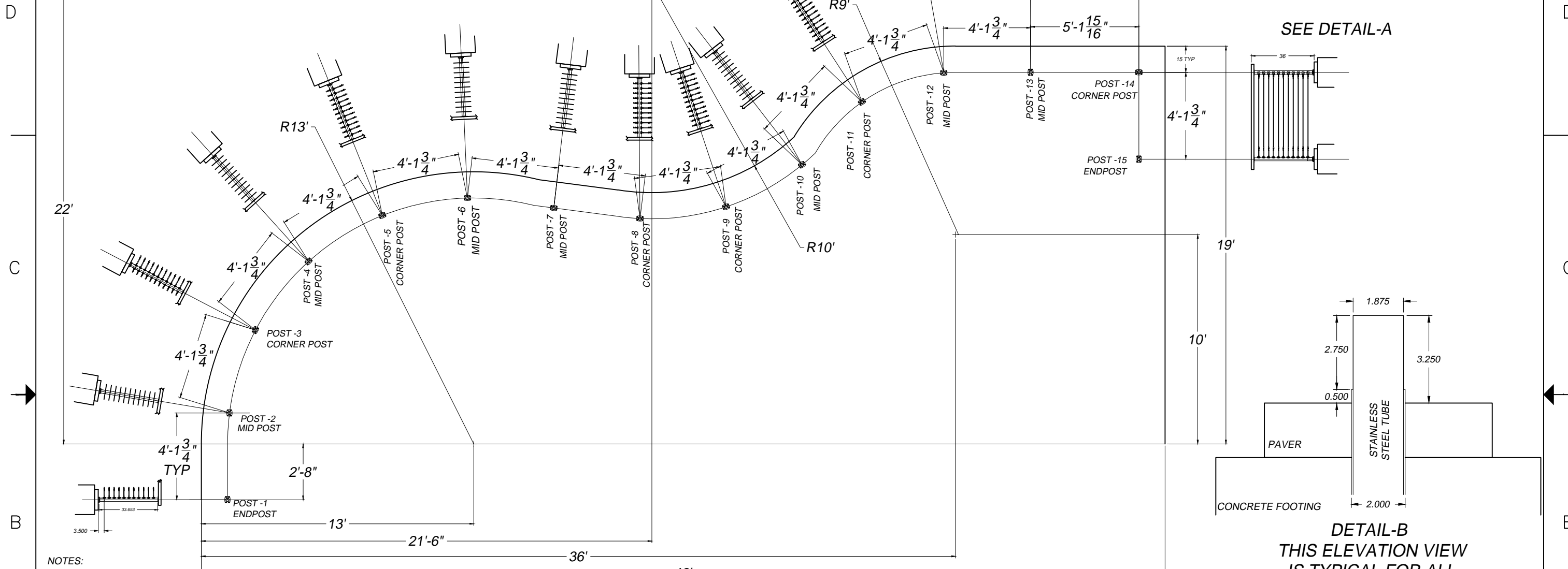


THE INFORMATION CONTAINED IN THIS DRAWING IS THE SOLE PROPERTY OF SUNCOR STAINLESS. ANY REPRODUCTION IN PART OR WHOLE WITHOUT THE WRITTEN PERMISSION OF SUNCOR STAINLESS IS PROHIBITED.

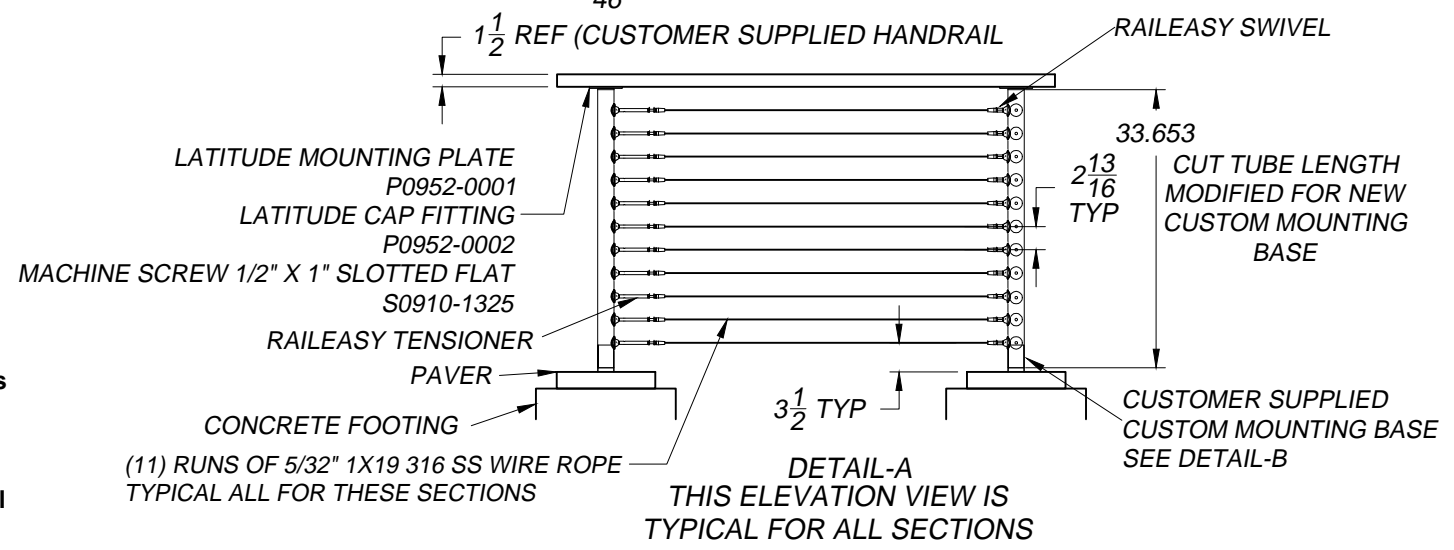
REVISIONS			
REV	DESCRIPTION	DATE	APPROVED
A	SAMPLE DRAWING	XX/XX/XX	XXX



DETAIL-B
THIS ELEVATION VIEW IS TYPICAL FOR ALL POSTS

- NOTES:
- HAND RAIL SYSTEM CONSISTING OF LATITUDE STYLE WITH HORIZONTAL WIRE ROPE.
 - DRAWING AND DIMENSIONS BASED UPON CUSTOMER SUPPLIED DRAWINGS
 - ALL DIMENSIONS AND RAILING DETAILS ARE PENDING CUSTOMER APPROVAL
 - 36" HAND RAIL SYSTEM CONSISTING OF 2" DIA BRUSHED 16 GAUGE 316 SS TUBING, CAST 316 SS FITTINGS, EPOXY CONNECTIONS AT JOINTS

Deck or mounting area and stair dimensions **MUST** be confirmed by the customer and or contractor. Suncor/Atlantis rail will **NOT** be responsible for errors or misinterpretations of the railing system designed by us based upon customer confirmed dimensions. Additional drawing time to change the design or correct for errors after signing will result in additional costs as well as any changes to parts made per the drawing. Carefully review the drawing before signing and accepting.



DETAIL-A
THIS ELEVATION VIEW IS TYPICAL FOR ALL SECTIONS

ASSEMBLY NOTE:
PLEASE TAKE CARE TO ORIENTATE POSTS SO THAT TENSIONERS GO TO SWIVELS. DO NOT ORIENTATE SWIVELS TO SWIVELS.

CUSTOMER SIGNATURE: _____ DATE: _____

UNLESS OTHERWISE SPECIFIED DIMENSIONS ARE IN INCHES TOLERANCES ARE:		CAD GENERATED DRAWING DO NOT MANUALLY UPDATE	
FRACTIONS	DECIMALS	ANGLES	
±1/64"	±0.005	±1/2°	
	±.001		
	±.005		
APPROVALS		DATE	
DRAWN	XXX	XX/XX/XX	
CHECKED			
RESP ENG			
MFG ENG			
QUAL ENG			
MATERIAL	316SS	LATITUDE CABLE RAILING-RADIUS SAMPLE DRAWING	
FINISH	BRUSHED	SIZE D	REV A
SCALE	NTS	ORDER NO. XXXXXX-XX	
SHEET		CAB FILE: XXXXXXXXXXXXX	