



LATITUDE CABLE RAILING

New Look... Same Unobstructed View

COST: 

The Latitude Cable Railing features prefabricated 316L stainless steel posts and horizontal cable infill, utilizing RailEasy™ round base tensioners and top rail mounting plates. These top rail mounting plates offer easy installation with virtually no hardware obstruction and allows customers to select their desired top rail.



CABLE RAILING INFILL

The Latitude Cable Railing is comprised of mechanical swage tensioners riveted to 2" outer diameter stainless steel posts to allow for cable railing infill.

These RailEasy™ Tensioners feature a compression fitting which enables installers to cut cable on-site, removing the hassle of pre-measuring and the cost of miscalculating dimensions. The cable used is a 5/32" diameter 1x19 strand cable. All fittings, cable and accessories are made from 316L stainless steel for maximum corrosion resistance. Standard cable spacing is less than 3" on-center.

HOW TO ORDER

The Latitude Cable Railing can be purchased through a local authorized Atlantis Rail Dealer. To find a dealer near you, please visit the Dealer Locator on the Atlantis Rail website. You can also fax (508) 732-9798 or email info@atlantisrail.com a plan view layout with simple dimensions to Atlantis Rail for a quote. Call or click today to learn more about the Latitude Cable Railing System.

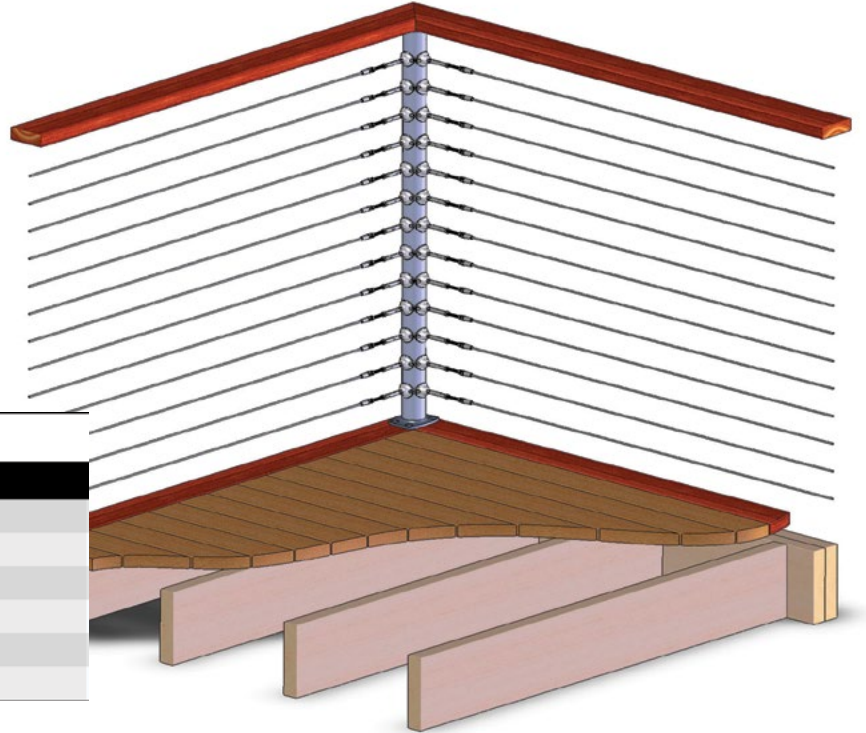


LATITUDE CABLE RAILING



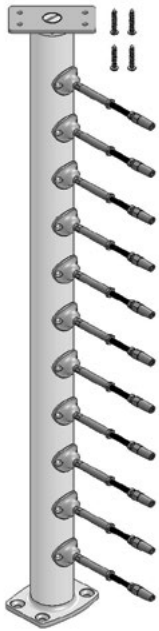
LATITUDE CABLE RAILING POST KITS

For easy ordering, the Latitude Cable Railing is offered as 3 post kit options in a 36" or 42" railing height. The post kits available are end posts, mid posts and corner posts. All post kits feature a 316L stainless steel 2" outer diameter tubular post in a polished finish. Cable spacing varies depending on post kit model. Consult installation instructions for complete details.



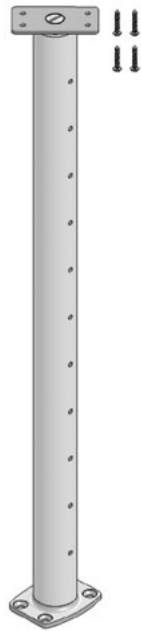
Latitude Cable Railing Components

PART NUMBER	DESCRIPTION
S0952-E036	Latitude 36" End Post Kit
S0952-M036	Latitude 36" Mid Post Kit
S0952-C036	Latitude 36" Corner Post Kit
S0952-E042	Latitude 42" End Post Kit
S0952-M042	Latitude 42" Mid Post Kit
S0952-C042	Latitude 42" Corner Post Kit



End Post Kits:

- 36" or 42" tube
- Top Plate Mounting Assembly (fasteners included)
- Mounting base (fasteners not included)
- 11 or 13 RailEasy™ Tensioners Round (depending on height)



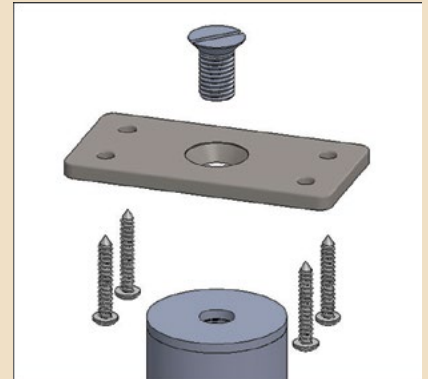
Mid Post Kits:

- 36" or 42" tube
- Top Plate Mounting Assembly (fasteners included)
- Mounting base (fasteners not included)
- 11 or 13 pre-drilled holes for running cable



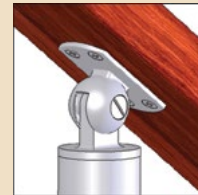
Corner Post Kits (for 90° corners):

- 36" or 42" tube
- Top Plate Mounting Assembly (fasteners included)
- Mounting base (fasteners not included)
- 22 or 26 RailEasy™ Tensioners Round (depending on height)



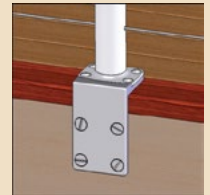
Top Plate Mounting Assembly

This assembly allows for the easy installation of a customer supplied flat top rail. A cap is pre-welded to the post which is then fastened to a stainless plate. Wood screws are drilled up into the top rail.



Stair Fitting S0902-0409

The Latitude Cable Railing has the ability to fit any design situation including stair and fascia mounting applications.



Fascia Mount S0950-0002