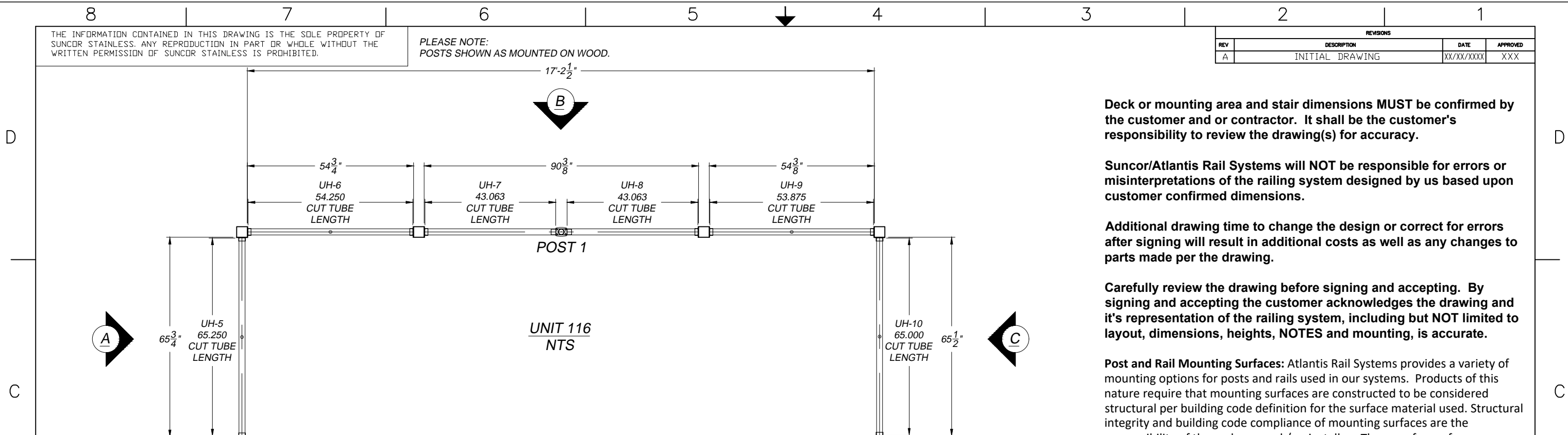


THE INFORMATION CONTAINED IN THIS DRAWING IS THE SOLE PROPERTY OF SUNCOR STAINLESS. ANY REPRODUCTION IN PART OR WHOLE WITHOUT THE WRITTEN PERMISSION OF SUNCOR STAINLESS IS PROHIBITED.

PLEASE NOTE:
POSTS SHOWN AS MOUNTED ON WOOD.

REVISIONS			
REV	DESCRIPTION	DATE	APPROVED
A	INITIAL DRAWING	XX/XX/XXXX	XXX



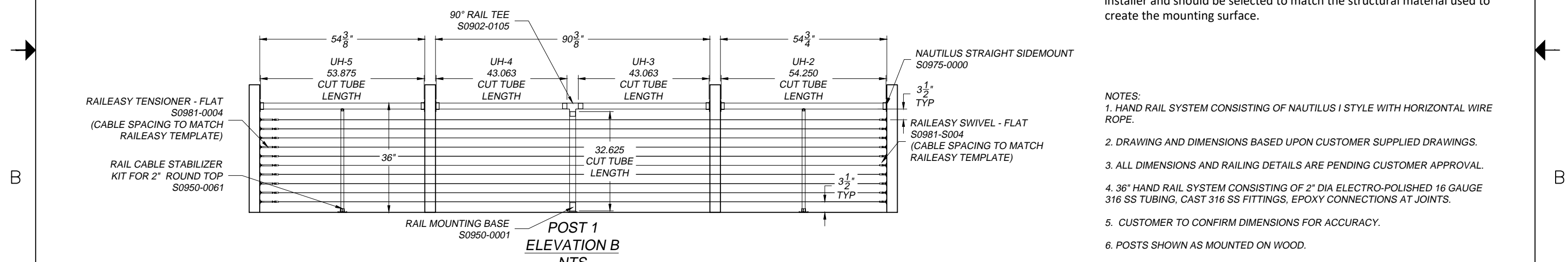
Deck or mounting area and stair dimensions **MUST** be confirmed by the customer and or contractor. It shall be the customer's responsibility to review the drawing(s) for accuracy.

Suncor/Atlantis Rail Systems will **NOT** be responsible for errors or misinterpretations of the railing system designed by us based upon customer confirmed dimensions.

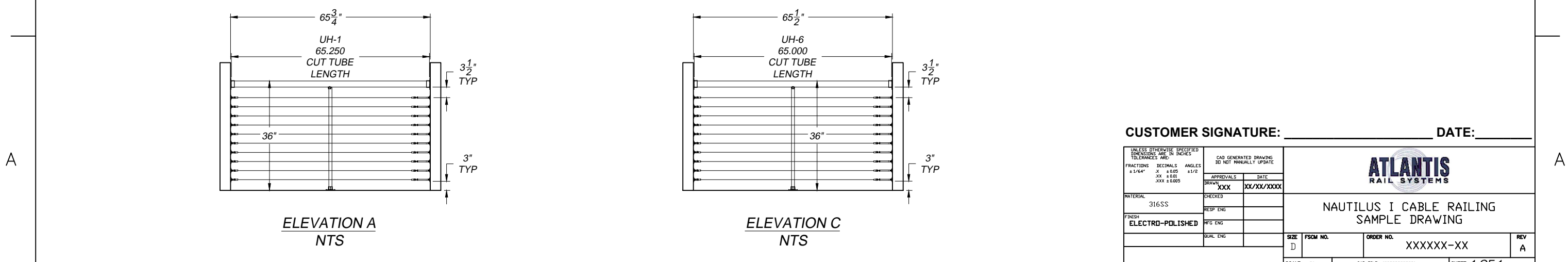
Additional drawing time to change the design or correct for errors after signing will result in additional costs as well as any changes to parts made per the drawing.

Carefully review the drawing before signing and accepting. By signing and accepting the customer acknowledges the drawing and it's representation of the railing system, including but **NOT** limited to layout, dimensions, heights, **NOTES** and mounting, is accurate.

Post and Rail Mounting Surfaces: Atlantis Rail Systems provides a variety of mounting options for posts and rails used in our systems. Products of this nature require that mounting surfaces are constructed to be considered structural per building code definition for the surface material used. Structural integrity and building code compliance of mounting surfaces are the responsibility of the end user and / or installer. The use of any of our mounting methods are at the option and decision of the end user and / or installer and should be selected to match the structural material used to create the mounting surface.



- NOTES:
1. HAND RAIL SYSTEM CONSISTING OF NAUTILUS I STYLE WITH HORIZONTAL WIRE ROPE.
 2. DRAWING AND DIMENSIONS BASED UPON CUSTOMER SUPPLIED DRAWINGS.
 3. ALL DIMENSIONS AND RAILING DETAILS ARE PENDING CUSTOMER APPROVAL.
 4. 36" HAND RAIL SYSTEM CONSISTING OF 2" DIA ELECTRO-POLISHED 16 GAUGE 316 SS TUBING, CAST 316 SS FITTINGS, EPOXY CONNECTIONS AT JOINTS.
 5. CUSTOMER TO CONFIRM DIMENSIONS FOR ACCURACY.
 6. POSTS SHOWN AS MOUNTED ON WOOD.
 7. CABLE IS SPACED AT 3" ON CENTER TO MATCH RAILEASY DRILLING TEMPLATE.



CUSTOMER SIGNATURE: _____ DATE: _____

UNLESS OTHERWISE SPECIFIED DIMENSIONS ARE IN INCHES TOLERANCES ARE:		CAD GENERATED DRAWING DO NOT MANUALLY UPDATE			
FRACTIONS	DECIMALS	ANGLES			
±1/64"	.X ±0.05	±1/2		NAUTILUS I CABLE RAILING SAMPLE DRAWING	
MATERIAL	CHECKED	APPROVALS	DATE	SIZE	FSCM NO.
316SS	RESP ENG	XXX	XX/XX/XXXX	ORDER NO.	XXXXXX-XX
FINISH	RESP ENG			SCALE	NTS
ELECTRO-POLISHED	MFG ENG			CAD FILE:	XXXXXXXXXXXX
	QUAL ENG			SHEET 1 OF 1	