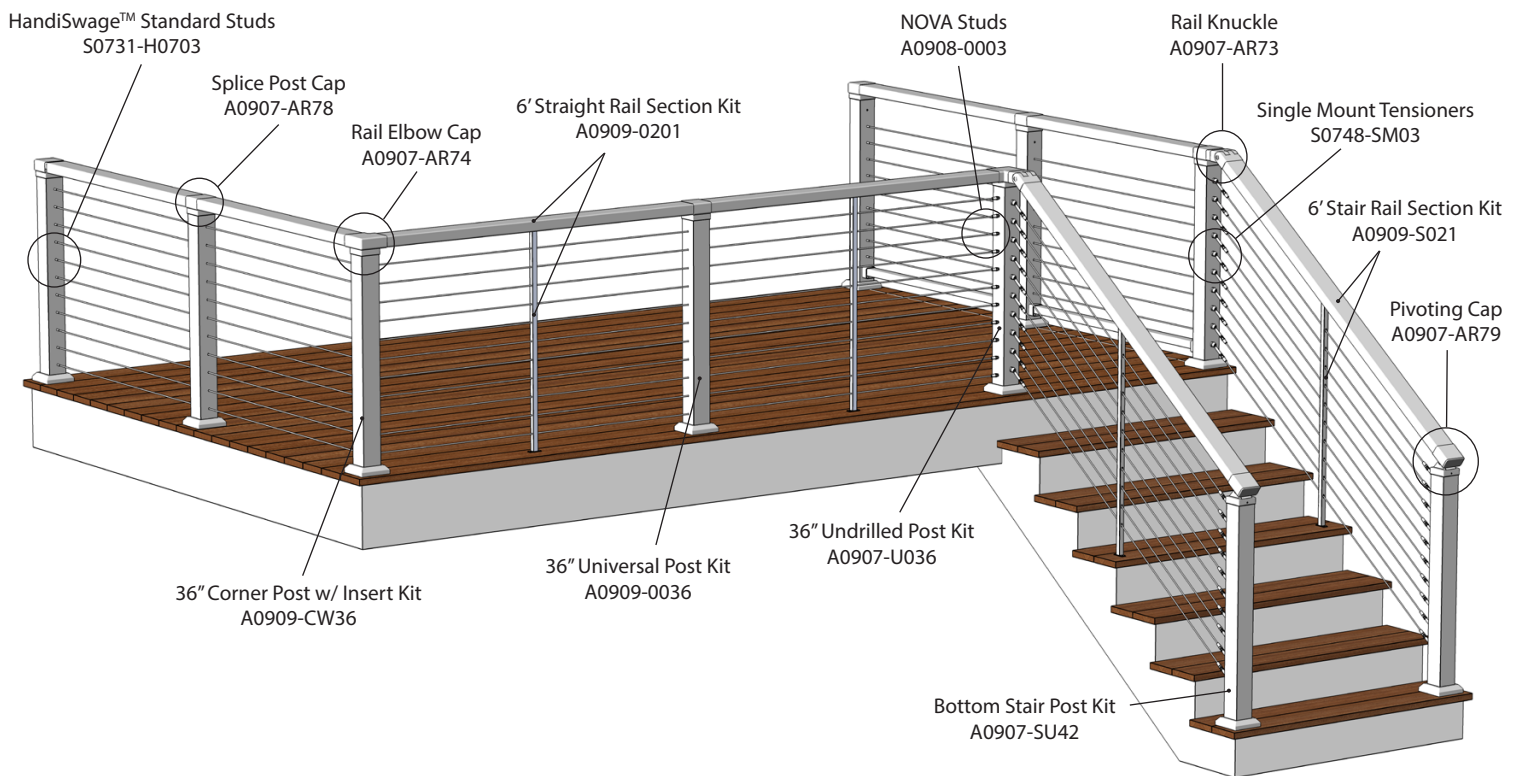


ORION I

Modular Aluminum Railing System
with Flat Top Rail

ORION I Combines the Ease of Modular Kits with the Beauty of Cable Railing

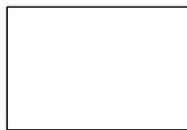
The ORION I System features a powder-coated aluminum framework combined with horizontal stainless steel cable infill. The framework is made up of 3" x 3" posts and a flat continuous top rail. The cable infill consists of HandiSwage™ fittings and 1/8" cable. The straight and stair rail kits are available in 6' lengths and include a top rail, pre-drilled stabilizer, support block assembly and connectors. Post kits come pre-drilled for 2-7/8" cable spacing in heights of 36" or 42". The simple design of the top rail allows installers to handle a variety of rail transitions using a small set of adaptive rail fittings and common installation tools.



Standard Colors



Black



White



Bronze

Standard Color Options:

Black (-BK), White (-WT), Bronze (-BZ)

Powder Coat Finish: Matte/Textured



Touch Up Paint, 6 oz.

Black (A0906-P052-BK)
Bronze (A0906-P052-BZ)
White (A0906-P052-WH)

Use Atlantis touch-up paint to fix any scratches which may occur to the powder coat finish during the installation process.

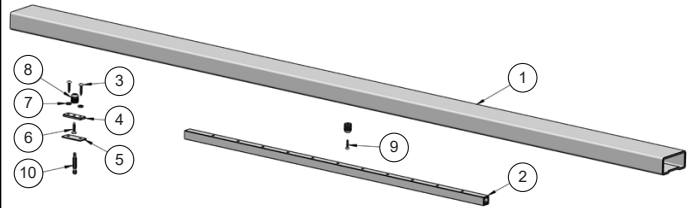
LEVEL SECTION



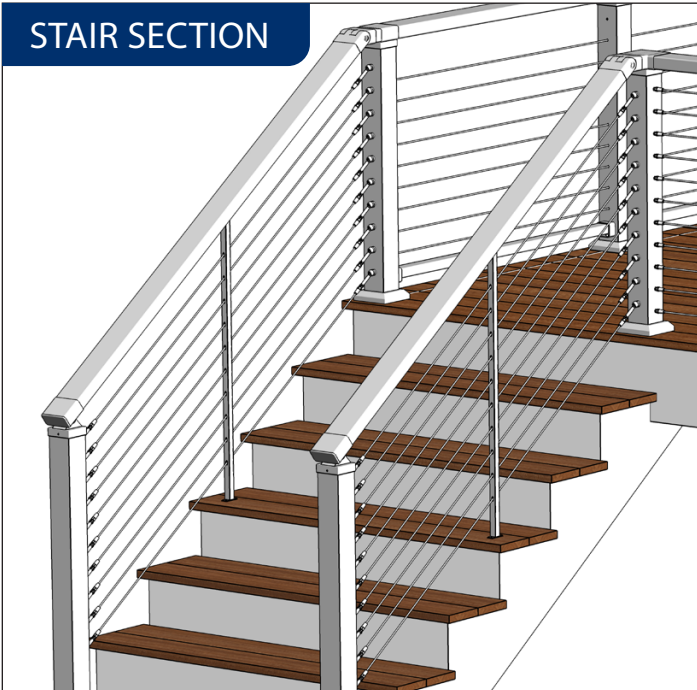
For straight rails on level sections, use the ORION I 6' Straight Rail Section Kits. Each kit consists of a top rail, as well as a cable stabilizer and support block assembly for added support.

ORION I 6' Straight Rail Section Kit (A0909-0201-*XX)

ITEM	DESCRIPTION	QTY
1	Top Rail	1
2	Stabilizer, 36" Drilled	1
3	Pan Head Screw, #10x1"	2
4	Mounting Plate	1
5	Nylon Gasket	1
6	Flat Head Screw, #12x1"	1
7	Nylon Washer	2
8	Plastic Connector	2
9	Self Drill Screw, #8x3/4"	1
10	Square Drive Bit	1



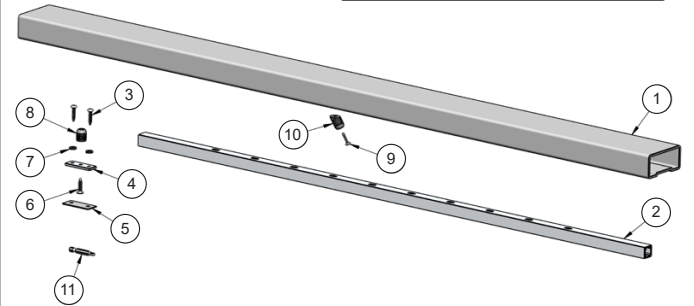
STAIR SECTION

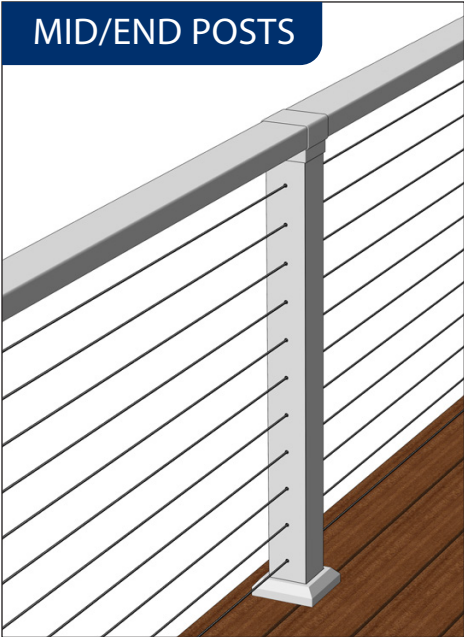


For stair rails on stair sections, use the ORION I 6' Stair Rail Section Kits. Each kit consists of a top rail, as well as a cable stabilizer and support block assembly for added support. The ORION I system accommodates stair angles ranging from 29 to 41 degrees.

ORION I 6' Stair Rail Section Kit (A0909-S021-*XX)

ITEM	DESCRIPTION	QTY
1	Top Stair Rail	1
2	Stabilizer, 36" Slotted	1
3	Pan Head Screw, #10x1"	2
4	Mounting Plate	1
5	Nylon Gasket	1
6	Flat Head Screw, #12x1"	1
7	Nylon Washer	2
8	Plastic Connector	1
9	Self Drill Screw, #8x3/4"	1
10	Plastic Connector, Angled	1
11	Square Drive Bit	1





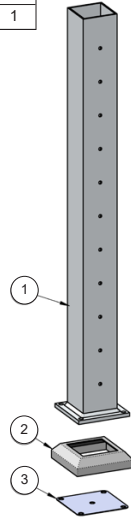
MID/END POSTS

ORION I Universal Posts are used as mid and end posts. They are pre-drilled on two sides to allow cable and fittings to pass through. The holes are spaced properly for code compliance. Post mounting hardware is NOT included!

ORION I 36" Universal Post Kit (A0909-0036-*XX)

ITEM	DESCRIPTION	QTY
1	36" Post, Drilled	1
2	Post Skirt	1
3	Post Pad	1

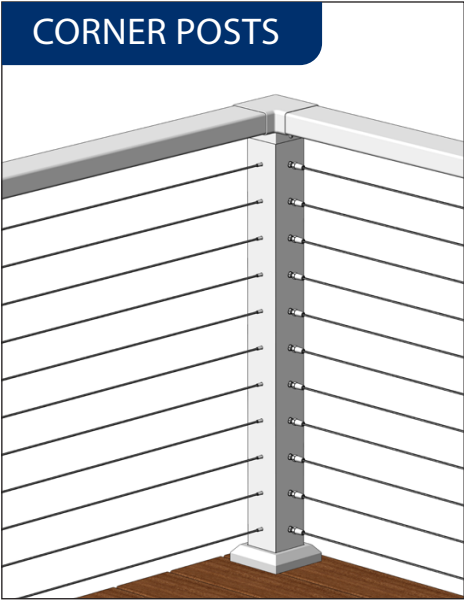
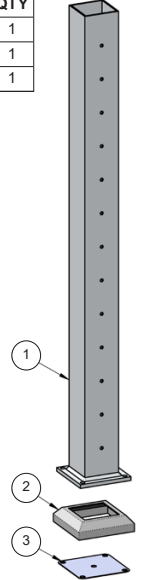
36"



ORION I 42" Universal Post Kit (A0909-0042-*XX)

ITEM	DESCRIPTION	QTY
1	42" Post, Drilled	1
2	Post Skirt	1
3	Post Pad	1

42"



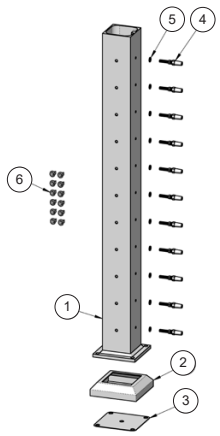
CORNER POSTS

ORION I Corner Posts are used where two rail sections meet at 90 degrees. These posts are drilled on three sides. The pre-drilled opposing sides allow cable studs to pass through, but the remaining side is drilled and threaded to accept the 1/4" thread found on the NOVA Studs included in the kit. The NOVA Studs are used as a fixed end fitting. The holes are spaced properly for code compliance. Post mounting hardware is NOT included!

ORION I 36" Corner Post Kit (A0909-C036-*XX)

ITEM	DESCRIPTION	QTY
1	36" Corner Post, Drilled	1
2	Post Skirt	1
3	Post Pad	1
4	NOVA Studs	11
5	Plastic Washers	11
6	Cable Grommets	12

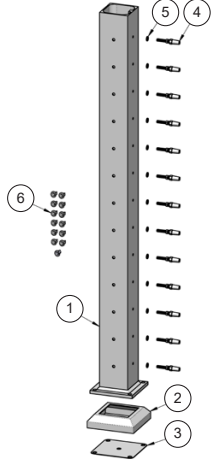
36"



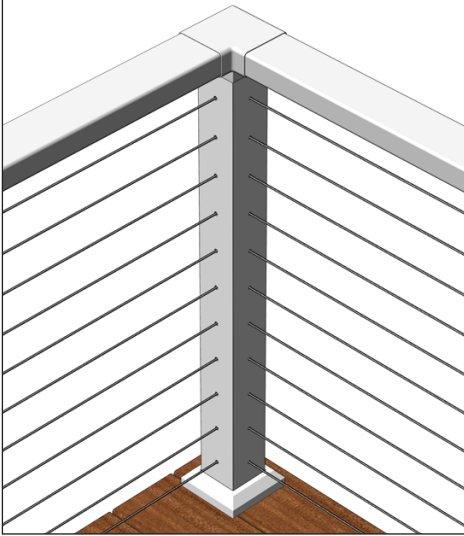
ORION I 42" Corner Post Kit (A0909-C042-*XX)

ITEM	DESCRIPTION	QTY
1	42" Corner Post, Drilled	1
2	Post Skirt	1
3	Post Pad	1
4	NOVA Studs	13
5	Plastic Washers	13
6	Cable Grommets	13

42"



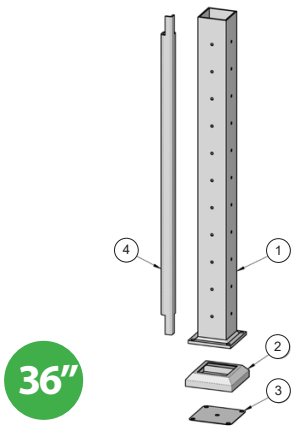
PASS-THROUGH CORNER



ORION I Corner Posts w/ Insert are used where two rail sections meet at 90 degrees. These posts are pre-drilled to allow cable to pass through eliminating the need for fittings. The holes are spaced properly for code compliancy. The rounded insert allows the cable to be tensioned without making contact with sharp edges. Post mounting hardware is NOT included!

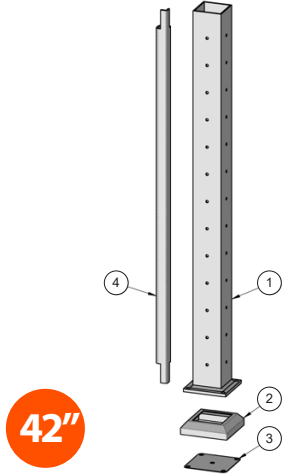
ORION I 36" Corner Post w/ Insert Kit (A0909-CW36-*XX)

ITEM	DESCRIPTION	QTY
1	36" Corner Post, Drilled	1
2	Post Skirt	1
3	Post Pad	1
4	Corner Post Insert	1



ORION I 42" Corner Post w/ Insert Kit (A0909-CW42-*XX)

ITEM	DESCRIPTION	QTY
1	42" Corner Post, Drilled	1
2	Post Skirt	1
3	Post Pad	1
4	Corner Post Insert	1



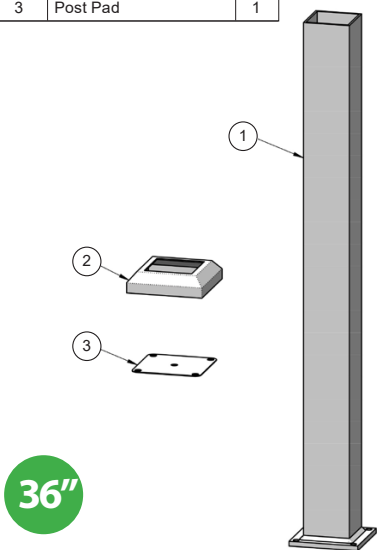
MULTI-USE



ORION Undrilled Posts are typically used at the top of stair sections, but can be used elsewhere in a project for non-typical scenarios. If used on stairs, use our drilling templates to predrill mounting holes for tensioners. Post mounting hardware is NOT included!

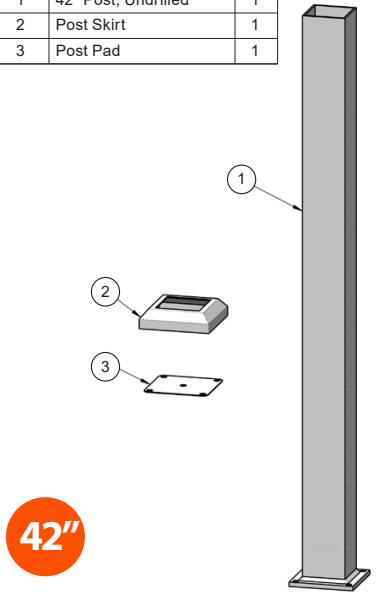
ORION 36" Undrilled Post Kit (A0907-U036-*XX)

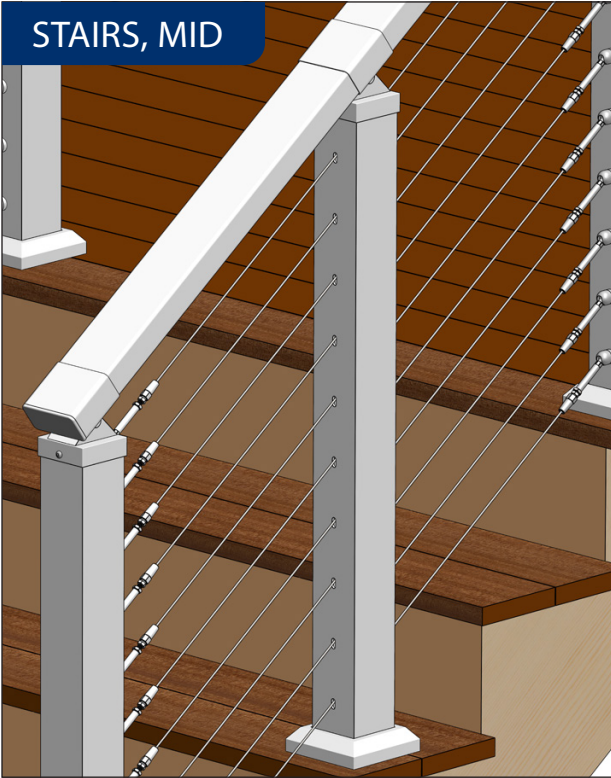
ITEM	DESCRIPTION	QTY
1	36" Post, Undrilled	1
2	Post Skirt	1
3	Post Pad	1



ORION 42" Undrilled Post Kit (A0907-U042-*XX)

ITEM	DESCRIPTION	QTY
1	42" Post, Undrilled	1
2	Post Skirt	1
3	Post Pad	1



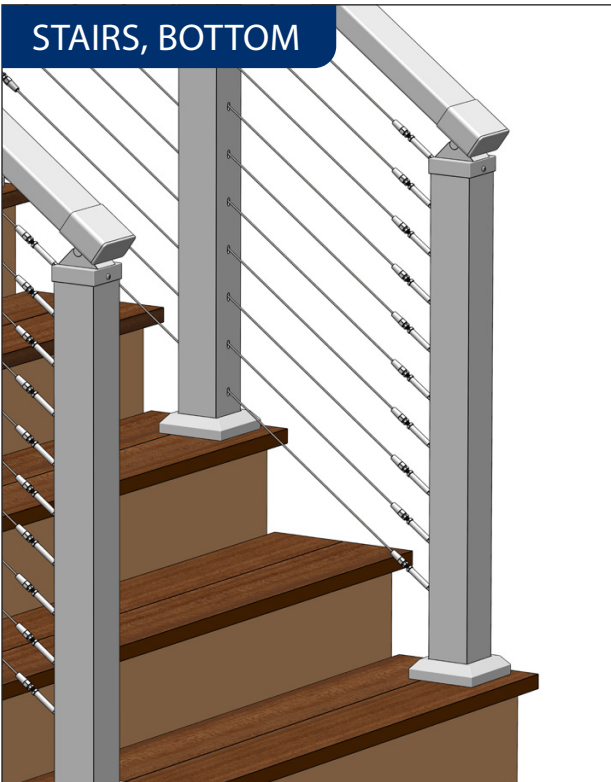
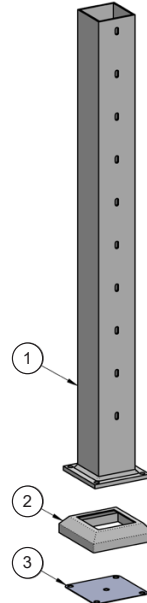


STAIRS, MID

ORION I Stair Mid Post Kit (A0909-SM42-*XX)

ORION I Stair Mid Posts are slotted on two sides to allow cable to pass through while matching the angle of the stairs (29 to 41 Degrees). Slots are spaced properly to meet code compliance. Post mounting hardware is NOT included!

ITEM	DESCRIPTION	QTY
1	42" Stair Mid Post, Slotted	1
2	Post Skirt	1
3	Post Pad	1

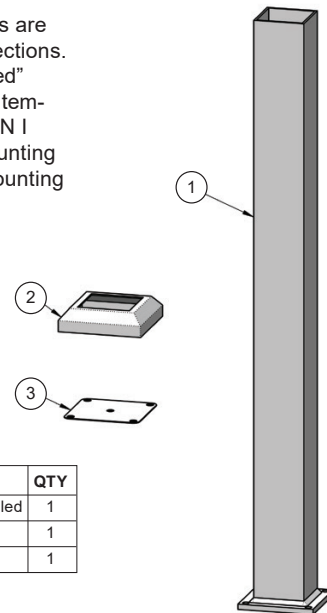


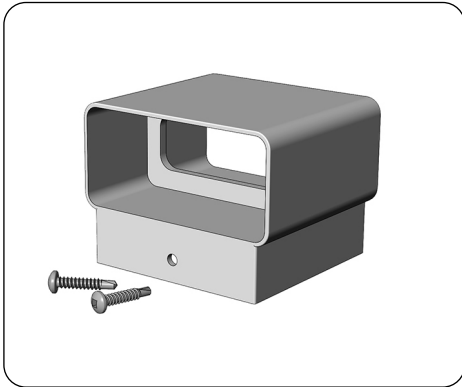
STAIRS, BOTTOM

ORION Stair Bottom Post Kit (A0907-SU42-*XX)

ORION Stair Bottom Posts are used at the bottom of stair sections. They are a dedicated "undrilled" bottom stair post. The drilling templates included in your ORION I order are used to predrill mounting holes for tensioners. Post mounting hardware is NOT included!

ITEM	DESCRIPTION	QTY
1	Stair Bottom Post, Undrilled	1
2	Post Skirt	1
3	Post Pad	1

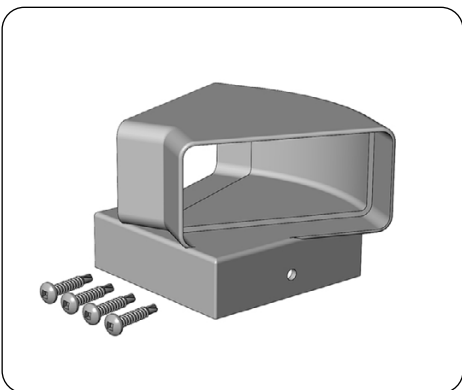




Splice Cap

ORION Splice Post Cap
(A0907-AR78-XX)

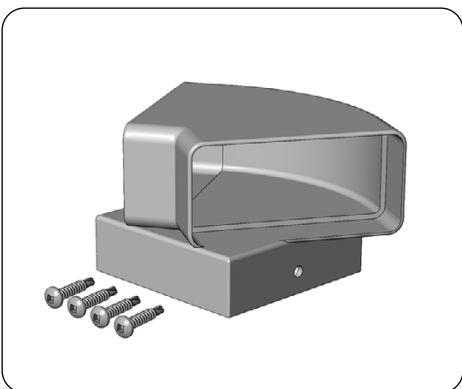
Commonly used on mid posts to join top rails on level sections. It features female connections to allow for ORION top rails to be cut to length and concealed within the fitting. The cast recesses that accept each top rail measure 1.53". It can also be used on end posts, but requires an ORION Termination Cap. This post cap fitting is available in black, bronze and white colors with a matte textured finish.



Elbow Cap, 45 Degree

ORION 45 Degree Elbow Post Cap
(A0907-AR45-XX)

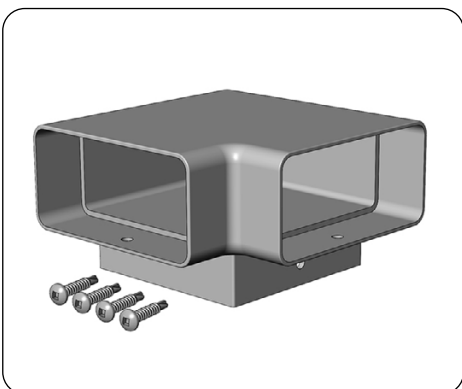
Utilized where rail sections meet at a 45 degree angle. It features a rounded corner and female connections. The ORION Top Rails can be cut to length and concealed inside for a clean look. The cast recesses that accept each top rail measure 0.75". This elbow is available in black, bronze and white colors with a matte textured finish.



Elbow Cap, 60 Degree

ORION 60 Degree Elbow Post Cap
(A0907-AR60-XX)

Utilized where rail sections meet at a 60 degree angle. It features a rounded corner and female connections. The ORION Top Rails can be cut to length and concealed inside for a clean look. The cast recesses that accept each top rail measure 0.75". This elbow is available in black, bronze and white colors with a matte textured finish.

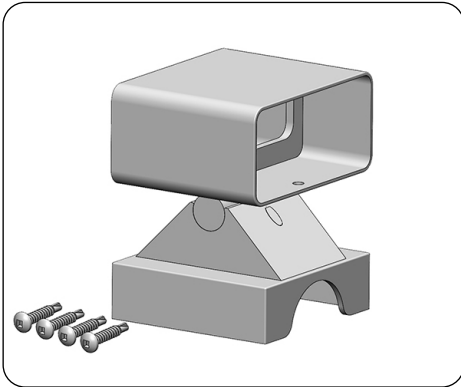


Elbow Cap, 90 Degree

ORION 90 Degree Elbow Post Cap
(A0907-AR74-XX)

Utilized where rail sections meet at a 90 degree angle. It features female connections. The ORION Top Rails can be cut to length and concealed inside for a clean look. The cast recesses that accept each top rail measure 0.95". This elbow is available in black, bronze and white colors with a matte textured finish.

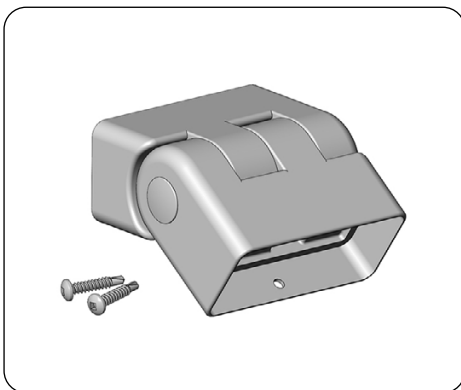




Pivoting Cap

ORION Pivoting Post Cap
(A0907-AR79-XX)

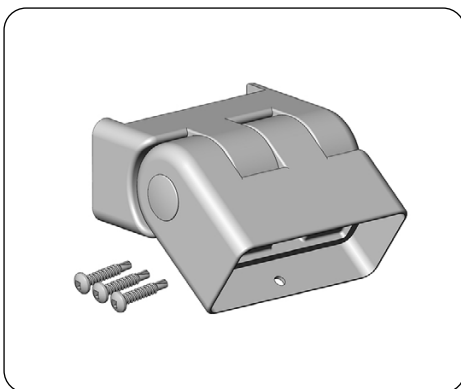
Used on mid and bottom stair posts to join top rails on stair sections. Adjustable and can achieve angles up to 45 degrees and features female connections to allow for ORION top rails to be cut to length and concealed within the fitting. The cast recesses that accept each top rail measure 1.42". Use in conjunction with an ORION Termination Cap when used on bottom stair posts. This post cap fitting is available in black, bronze and white colors with a matte textured finish.



Stair Knuckle

ORION Stair Knuckle
(A0907-AR73-XX)

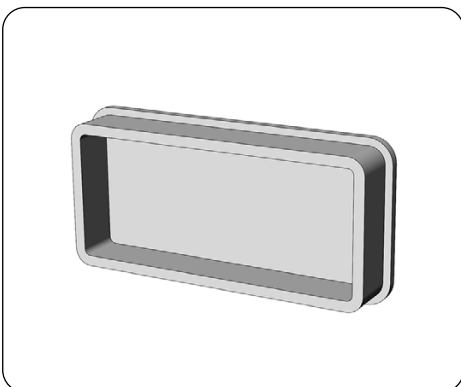
Adjustable fitting for transitioning from 36" height rail sections to in-line stair rails. It can achieve angles up to 45 degrees and features female connections to allow for ORION top rails to be cut to length and concealed within the fitting. The cast recesses that accept each top rail measure 0.75". This knuckle fitting is available in black, bronze and white colors with a matte textured finish.



Stair Knuckle, Post Mount

ORION Post Mount Stair Knuckle
(A0907-AR76-XX)

Adjustable fitting for transitioning from 42" height rail sections to in-line or perpendicular stair rails. It mounts to the side of the ORION post. It can achieve angles up to 45 degrees and features a female connection on one side to allow for ORION top rails to be cut to length and concealed within the fitting. The cast recess that accepts the top rail measures 0.75". This knuckle fitting is available in black, bronze and white colors with a matte textured finish.



Rail Cap, Male

ORION Termination Rail Cap
(A0907-AR77-XX)

Installed on the unused side of a post cap fitting for a finished look. These caps are secured into place using a clear silicone sealant. Available in black, bronze and white colors with a matte textured finish.

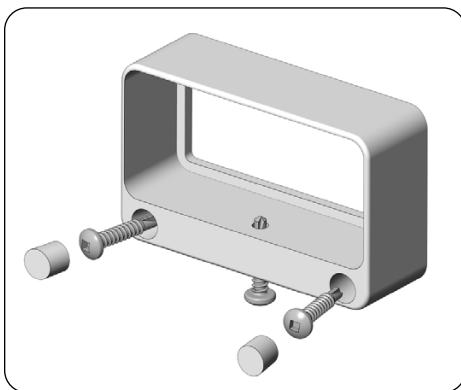
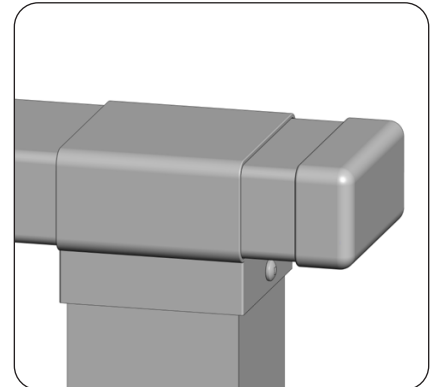




Rail Cap, Female

ORION End Rail Cap
(A0907-AR75-XX)

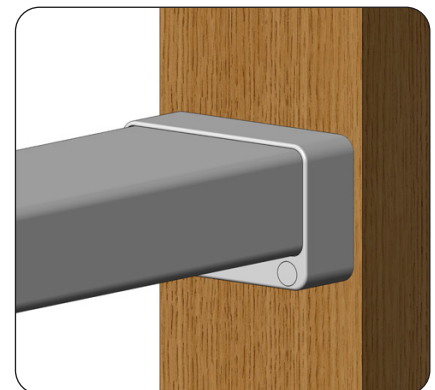
Installed on the exposed end of a top rail that extends beyond the post for a finished look. It features a female connection to allow for the ORION top rail to be cut to length and concealed within the cap. The cast recess that accepts the top rail measures 0.75". This rail cap is available in black, bronze and white colors with a matte textured finish.



Rail Bracket, Wall

ORION Straight Sidemount
(A0907-AR69-XX)

Installed on the exposed end of a top rail and mounts into a flat wall or column. It features a female connection to allow for the ORION top rail to be cut to length and concealed within the fitting. This sidemount is available in black, bronze and white colors and a matte textured finish.



Cable Railing Basics

REGARDLESS OF WHAT ATLANTIS CABLE RAILING YOU USE, WE WANT TO MAKE SURE YOU INSTALL YOUR CABLE RAILING TO A SAFE AND CODE COMPLIANT SPECIFICATION.

To start planning your project always make sure you check with your local code compliance official before starting your cable railing project. They may have special requirements.

The first three basics of cable railing involve spacing; cable spacing, post spacing and total area covered (length of runs).

WE DEFINE THESE SPECIFICATIONS AS THE RULE OF 3, 4, 5.

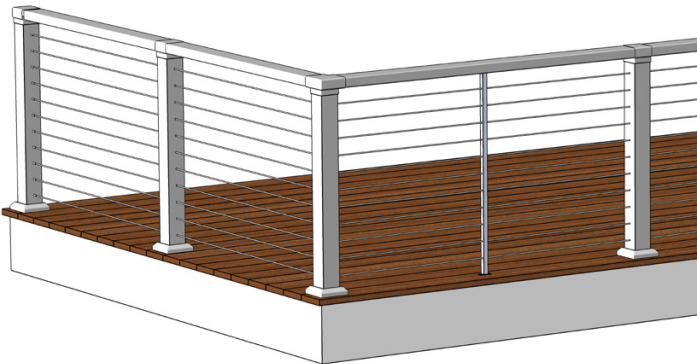
- 3** Cable spacing must **NEVER EXCEED 3 INCHES**.
- 4** Distance between post can **NEVER EXCEED 4 FEET**, if it is necessary to have post spacing over 4 ft., always add cable stabilizers.
- 5** Cable runs should **NOT EXCEED 50 FEET** in total length.

OTHER MUST HAVE / MUST DO CRITERIA AND SPECIFICATIONS FOR CABLE RAILING

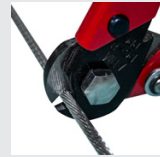
- You must always use a top rail.
- You must make sure your structure offers proper blocking where posts are mounted per your local building codes.
- You must follow the manufacturer's instructions including cleaning and maintenance. Stainless steel is "low" maintenance, not "no" maintenance.

HANDISWAGE™

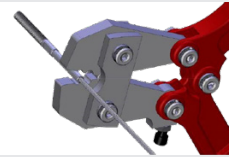
The ORION I System utilizes HandiSwage™ fittings and 1/8" cable. HandiSwage™ fittings are crimped onto cable using our specially designed hand swage tools. It is an easy to install and economical solution for cable railing.



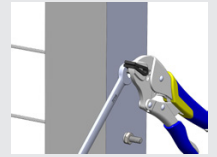
Easy Installation



Cut



Crimp



Tension

CABLE



1/8"

HandiSwage™ Cable, 100 ft. (S0701-0003-01)

This cable features a 1×19 construction and is available in a 1/8" diameter. The cable is left hand lay and made from grade 316L stainless steel for maximum corrosion resistance and durability. 100 ft. supplied on a spool.



1/8"

HandiSwage™ Cable, 250 ft. (S0701-0003-02)

This cable features a 1×19 construction and is available in a 1/8" diameter. The cable is left hand lay and made from grade 316L stainless steel for maximum corrosion resistance and durability. 250 ft. supplied on a spool.

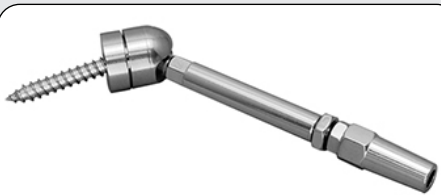
CABLE FITTINGS

For more information see the HandiSwage™ Detailed Overview Catalog



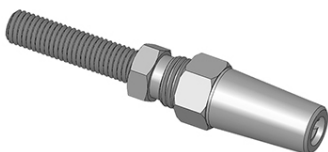
HandiSwage™ Standard Stud 2 Pack (C0731-H0703-2) 10 Pack (C0731-H0703-10)

Made from grade 316L stainless steel for maximum corrosion resistance. 1/4" UNF threaded. Designed to crimp onto 1/8" cable. For hand swage use only.



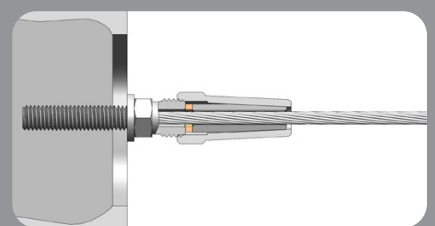
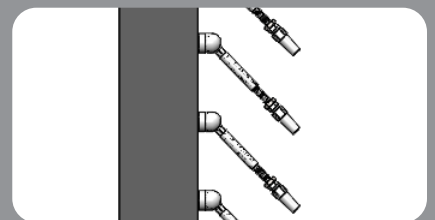
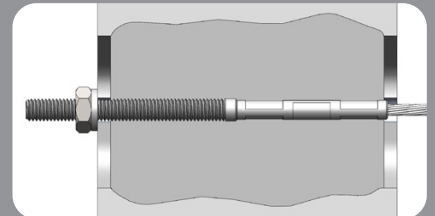
Single Mount Tensioner 2 Pack (C0748-SM03-2)

Made from grade 316L stainless steel and designed to accommodate angles up to 45 degrees. Designed for tensioning 1/8" cable. Mechanically attaches to cable using simple hand tools. Fastener included.



NOVA Studs (A0908-0003)

Supplied with ORION I Corner Posts, these studs thread into the posts and mechanically attach to 1/8" cable using simple hand tools. Used as a fixed end termination. Made from grade 316L stainless steel for durability.



LED LIGHTING

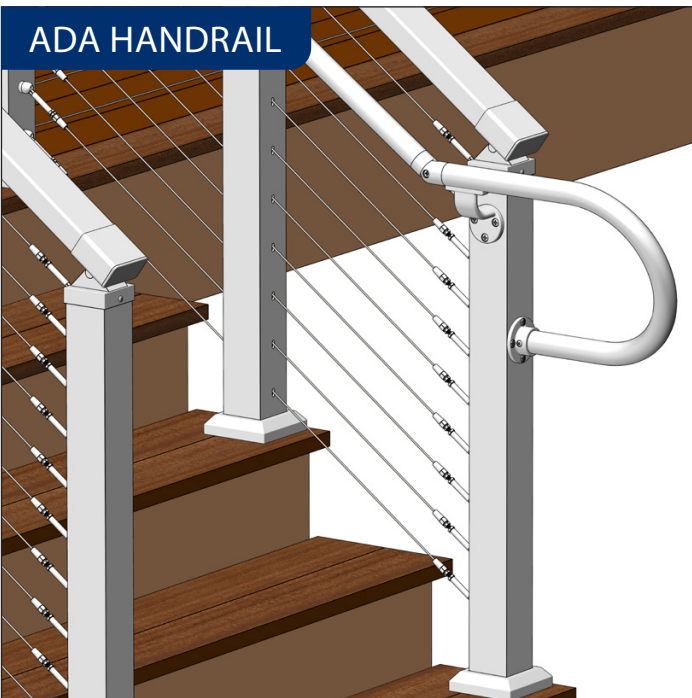


Add LED Accent Lighting to your ORION I rail system with MicroStar™ Light Bars!

MicroStar™ LED Light Bars can be added to your ORION I rail system to provide accent lighting and ambiance. Light Bars surface mount to the underside of the top rail delivering significant downlighting. The hue of the lights can be described as bright white/daylight. The light bars are connected using a series of water-resistant jumpers and rubber grommets for a clean install. The MicroStar™ Transformer (DC) powers the lighting system and is UL approved.

For more information see the [MicroStar™ Lighting Detailed Overview Catalog](#)

ADA HANDRAIL



Make your ORION I rail system ADA compliant with our surface mount handrail.

Atlantis offers a full line of surface mount supports and handrail to make your ORION I rail system ADA compliant. The simple design allows installers to handle a variety of handrail transitions using a small set of components. The handrail system is made from aluminum and is powdercoated for a durable finish. Offered in standard ORION I color options.

For more information see the [ADA Handrail Detailed Overview Catalog](#)



HandiSwage™ Hand Swager
(E0113-H600)

This swager crimps hand swage studs onto 1/8", 5/32" and 3/16" cable. After Swage Gauge included to confirm proper swaging. For use with HandiSwage™ Series ONLY.



HandiSwage™ Bench Swager
(E0115-H600)

This swager crimps hand swage studs onto 1/8", 5/32" and 3/16" cable. After Swage Gauge included to confirm proper swaging. For use with HandiSwage™ Series ONLY.



RailEasy™ Cable Cutter
(C0989-00HD)

This cutter features heat treated blades which cleanly cut up to 5/32" diameter cable.



Heavy Duty Cable Cutter
(E0111-WR06)

Drop forged cutting blades cut cable cleanly and allow for more cuts than our smaller units. The handles are longer for more leverage and feature rubber grips for comfort. For cutting cable up to 3/16" diameter.



HandiSwage™ Combo Wrench Set
(C0731-TK01-2)

This set consists of (2) 3/8" & 7/16" combination wrenches. These are used to tension studs and install cover nut sets.



HandiSwage™ Cover Nut, 10 Packs

Dark Brown (C0309-BR02-10)
White (C0309-WH02-10)
Black (C0309-BK02-10)

These sets are used to tension HandiSwage™ Studs and cover hardware for a finished look.



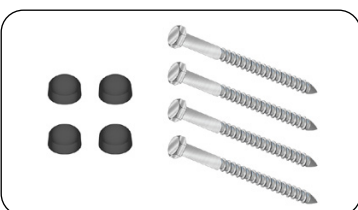
Cutting Disk, 2 Pack
(E0113-CD04-2)

Cutting disk used to cut threads on HandiSwage™ studs after installation. Not recommended for cutting cable. For cutting metal only. Never exceed Max RPM of 13,300.



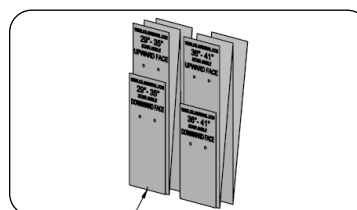
Cable Grip Pad, 3 Pack
(E0114-0000)

This neoprene pad is used between vice grips and cable during the tensioning process to prevent damage to the cable.



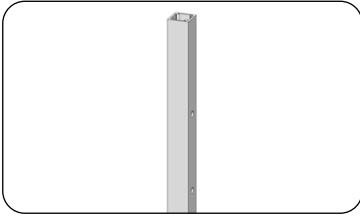
Post Mounting Hardware
(A0908-HD10)

This hardware kit is used to surface mount ORION I posts to wood structures. Kit includes (4) 5/16" x 4-1/2" stainless steel hex lag bolts and accompanying cover nuts.



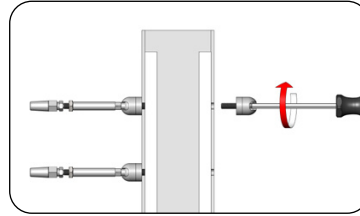
Drilling Template Set
(A0909-TMP01)

Supplied with your ORION I order to assist in marking and drilling mounting holes in stair posts for tensioner installation.



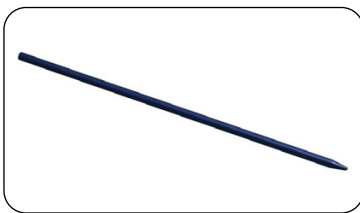
42" Cable Stabilizer
(A0909-AR42-XX*)

Orion I Rail Kits are supplied with cable stabilizers designed for a 36" height system. Use this 42" stabilizer instead for 42" height systems. Hole spacing matches hole spacing on posts.



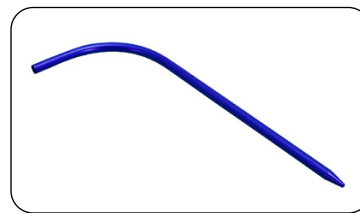
Threaded Post Insert
36" (A0909-C036-INSERT)
42" (A0909-C042-INSERT)

This insert provides flexibility in design by offering a way to attach threaded fittings and fasteners to posts. Hole spacing matches hole spacing on posts.



Straight Lacing Needle, 2 Pack
(C0988-4000-2)

Use the Cable Lacing Needle with 1/8" and 5/32" cable. It helps guide cable through post holes without snagging to ensure a quick and easy cable railing installation.



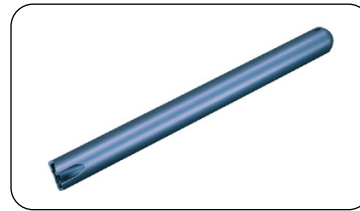
Curved Lacing Needle, 2 Pack
(C0988-400C-2)

Use this lacing needle to feed cable through the ORION I Corner Post with Inserts. Makes passing cable through adjacent post faces easy.



Cable Grommet, 25 Pack
Mid Post (C0916-0003-25)
End Post (C0916-B003-25)
Stabilizer (C0916-A003-25)

These plastic grommets make installation clean looking while preventing contact between stainless components and aluminum posts.



Cable Grommet Install Tool
(E0916-1000)

This simple tool makes installing cable grommets quick and easy. Designed to clip grommet onto cable and push them into post holes.



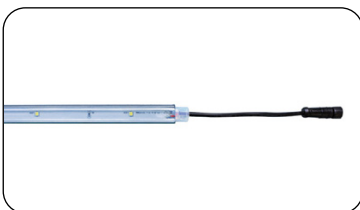
MicroStar™ Transformer
(S0832-0005)

DC transformer used to power the optional MicroStar™ LED Light Bars on ORION I rail systems. Heavy duty, water resistant construction. UL approved.



Wire Harness Grommet, 10 Pack
(S0825-GR1203-10)

These rubber grommets are installed into the holes used for wiring the MicroStar™ LED Light Bars on ORION I. Protects wiring from sharp edges.



MicroStar™ LED Light Bar
18" (S0825-0018-XX*)
30" (S0825-0030-XX*)
42" (S0825-0042-XX*)

LED accent lighting that can be surface mounted on the underside of top rail on ORION I.



24" Cane Bolt Hardware Kit
(A0906-HDCB)

Used on double gate projects to keep one gate locked in a fixed position. Can be padlocked for safety. Stainless steel and powdercoated black. Bolt measures 24" in length.



Touch Up Paint, 6 oz.

Black (A0906-P052-BK)
Bronze (A0906-P052-BZ)
White (A0906-P052-WH)

Use Atlantis touch-up paint to fix any scratches which may occur to the powder coat finish during the installation process.

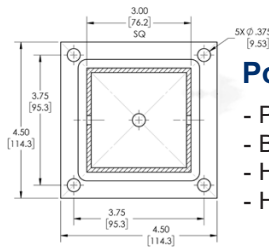
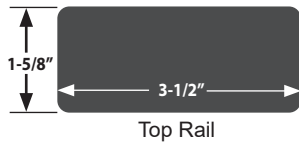


Rail Cleaning Kit (E0100-K001)

Clean your ORION I System with the Rail Cleaning Kit when it is dirty. Kit includes: Bottle of Car Wash Soap, MicroFiber Cloth and Cleaning Instructions.

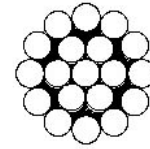
USEFUL SPECIFICATIONS

Rail Profile



Post Details

- Post = 3"x 3"
- Base = 4.5"x 4.5"
- Hole Dia. = 3/8"
- Holes 3.75" On-Center



Cable Details

- 316L Stainless Steel
- 1x19, Left Hand Lay
- 1/8" Diameter